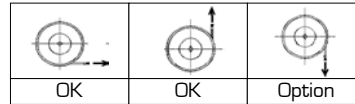
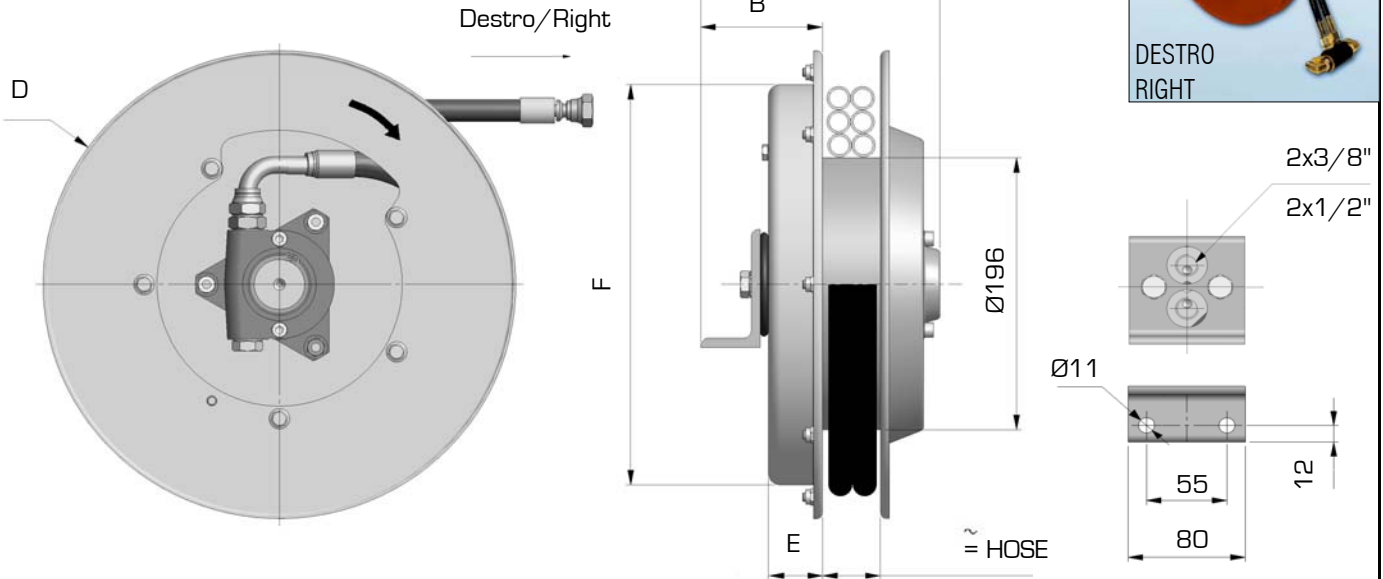
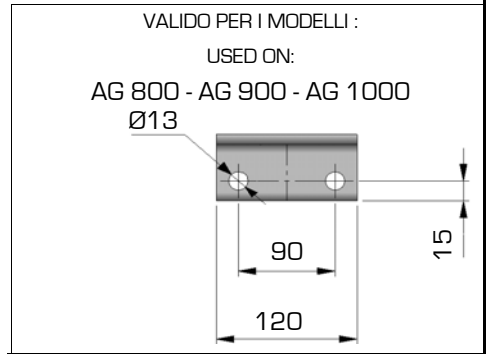


**141.1**
**MAX**  
40 l/min

**W. P. 300 bar**  
Option 400 bar

**DESTRO RIGHT**


AGD 400 = MODELLO DESTRO / RIGHT MODEL  
 AGS 400 = MODELLO SINISTRO / LEFT MODEL  
 Es. ORD: AGD 400.10.R7



Modello destro	A	B	D	E	F	Tubo/Hose		
						Lungh.totale	Lungh.utile	
Right model	mm					Ø	Total length	Usable length
							m	m
AGD570.06.XX	171	92	570	47	422	1/4"	17,5	17,0
AGD570.08.XX						5/16"	15,5	15,0
AGD570.10.XX						3/8"	13,5	13,0
AGD570.12.XX						1/2"	10,7	10,2
AGD600.06.XX	171	92	620	47	422	1/4"	21,0	20,5
AGD600.08.XX						5/16"	17,0	16,5
AGD600.10.XX						3/8"	16,0	15,5
AGD600.12.XX						1/2"	12,5	12,0
AGD650.06.XX	181	102	650	57	422	1/4"	22,5	22,0
AGD650.08.XX						5/16"	19,5	19,0
AGD650.10.XX						3/8"	17,5	17,0
AGD650.12.XX						1/2"	14,5	14,0
AGD700.06.XX	181	102	720	57	532	1/4"	27,0	26,5
AGD700.08.XX						5/16"	22,0	21,5
AGD700.10.XX						3/8"	20,0	19,5
AGD700.12.XX						1/2"	16,0	15,5
AGD800.08.XX	191	112	820	67	532	5/16"	30,0	29,0
AGD800.10.XX						3/8"	26,0	25,0
AGD800.12.XX						1/2"	21,0	20,0
AGD900.08.XX	201	122	920	67	532	5/16"	38,0	37,0
AGD900.10.XX						3/8"	34,0	33,0
AGD900.12.XX						1/2"	28,0	27,0
AGD1000.10.XX	226	122	1000	67	687	3/8"	36,0	35,0
AGD1000.12.XX						1/2"	35,0	34,0