



Rubetterie Italiane Velatta SpA

————— since 1950 —————

» YOU need the BEST



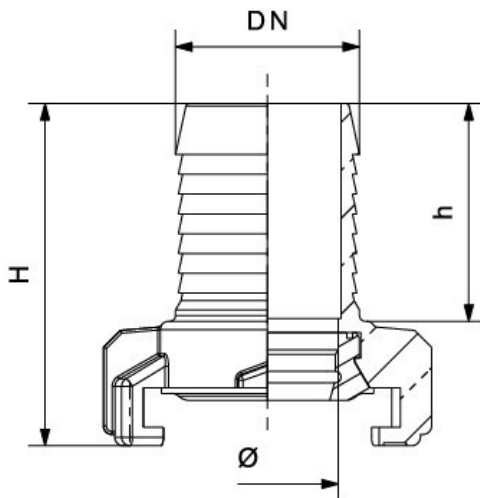
Series



## RIV 3302

Bayonet fastening with hose-connection

### » Tech drawings and tables



DN	Code	Ø	H	h	PN	KG	P/box
13	033302000033	10	46,5	24,5	16	0,100	10
15	033302000035	11	49,5	27,5	16	0,096	10
18	033302000038	13	49,5	27,5	16	0,103	10
20	033302000040	15,5	52	30	16	0,105	10
25	033302000042	20	58	36	16	0,118	10
32	033302000045	26	60,5	38,5	16	0,149	10
38	033302000049	32	77,5	55	16	0,215	10

### » Advantages

The "SWIFT" bayonet fastenings feature the same bayonet coupling for all sizes.

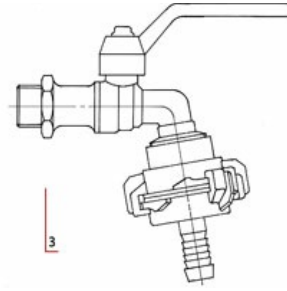
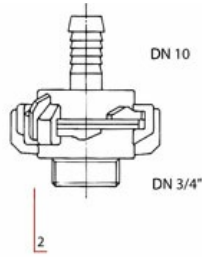
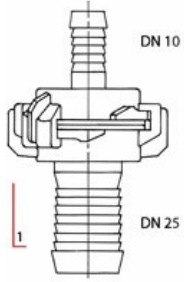
Therefore couplings of different dimensions, with hose-connections or threaded ones, from ½" to 1 ½" (see drawings) can be joined very simply and safely, composing the required connection or reduction according to needs.



Rubinerterie Italiane Velatta SpA

since 1950

» YOU need the BEST



» RIV Rubinerterie Italiane Velatta S.p.A  
Via delle Acacie 8 Zona Industriale D4  
P. O. Box 64  
28075 GRIGNASCO (NO) ITALY  
Tel +39 0163 4151  
Fax +39 0163 411914

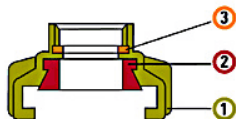
» Capitale sociale € 516.000 i.v.  
Reg. Imprese di Novara N° 00469610026  
R.E.A. di Novara N° 170397  
Numero Meccanografico N0009263  
Codice Fiscale 00469610026  
Partita IVA IT 01399720034

» E-mail [riv-vg@riv-vg.com](mailto:riv-vg@riv-vg.com)  
[vendite.italia@riv-vg.com](mailto:vendite.italia@riv-vg.com)  
[export.sales@riv-vg.com](mailto:export.sales@riv-vg.com)  
Web [www.riv-vg.com](http://www.riv-vg.com)



» Technical data

Art. 3300



Materials			
1	Body	Brass	CW617N
2	Gasket	NBR	
3	Gasket	NBR	

Connections	ISO 228/1
Limit	-10°C (without liquid) +90°C
Notes	The max. working pressure (PN) means at a room temperature of about 23°C.

» OtherProducts



**RIV 3300**

Female bayonet fastening



**RIV 3301**

Male bayonet fastening



**RIV 3302**

Bayonet fastening with hose-connection



**RIV 3303**

Plug for bayonet fastening



**RIV 3320**

Three-way fitting F/M/M