

#### Service intended

Robust pressure gauge with stainless steel case and liquid filling. Intended for adverse service conditions where pulsation or vibration exists. Suitable for gaseous or liquid media that will not obstruct the pressure system or attack copper alloy parts.

#### Design

EN 837-1

#### Nominal size

40, 50, 63, 80 and 100 mm

#### Accuracy class per EN 837-1 /6)

40, 50 and 63 mm: 1.6  
80 and 100 mm: 1.0

#### Scale ranges per EN 837-1/5

40, 50mm: 0/1 to 0/400  
63 and 80 mm: 0/0.6 to 0/1000  
100 mm: 0/0.6 to 0/1600  
or other equivalent units of pressure or vacuum

#### Working pressure

40, 50 and 63 mm:	Steady:	$\frac{3}{4}$ of full scale value
	Fluctuating:	$\frac{2}{3}$ of full scale value
	Short time:	full scale value
80 and 100 mm:	Steady:	full scale value
	Fluctuating:	0.9 x full scale value
	Short time:	1.3 x full scale value

#### Operating Temperature

Ambient: -40... +80 °C  
Medium: +60 °C maximum

#### Temperature error

Additional error when temperature of the pressure element deviates from +20 °C  
Rising temperature: +0.3%/10K of true scale value  
Falling temperature: -0.3%/10K of true scale value

#### Standard features

##### Pressure connection

Material: Copper alloy  
Threaded entry (radial or back) per EN 837-1 /7.3  
40, 50 and 63 mm: G  $\frac{1}{4}$  B 14 mm flats  
80 and 100 mm: G  $\frac{1}{2}$  B 22 mm flats

##### Pressure element

40, 50, 63 and 80 mm:  
< 60 bar: Cu-alloy, C-type, soft soldered  
≥ 60 bar: Cu-alloy, helical type, soft soldered  
100 mm:  
< 600 bar: Cu-alloy, C-type, soft soldered  
≥ 600 bar: Stainless steel, helical type, brazed

##### Movement

Cu-alloy  
up 80 mm: Cu-alloy, wear parts argentan



#### Dial

40, 50 and 63 mm: white plastic, with pointer stop pin  
80 and 100 mm: white aluminium  
With black lettering

#### Protections: IP65

#### Pointer

40, 50 and 63 mm: black plastic  
80 and 100 mm: black aluminium

#### Case

Natural finish stainless steel  
O-ring seal between case and entry stem  
Pressure relief in case top  
Ranges ≤ 6 bar with case venting provision

#### Window

Non-splintering clear acrylic glass

#### Bezel ring

Triangular bezel, roll formed, glossy finish stainless steel

#### Liquid filling

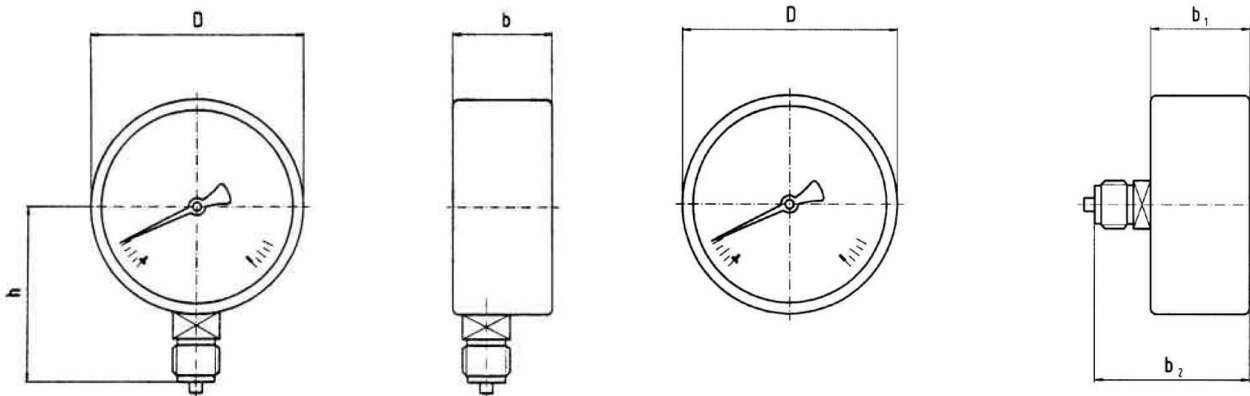
Glycerine 90% - 99%

#### Optional extras

- Other pressure connection
- Black finish steel case / Bezel chromed ring
- Slip-on bezel
- 3-hole surface mounting flange
- U bracket for clamp fixing
- Red pointer fixed on transparent or on dial
- Dragged pointer of MIN / MAX
- Throat element
- Cut glass
- Red mark
- Thread  $\frac{1}{8}$  -  $\frac{1}{4}$  - 9x1 -10x1 : BSP - BSPT - NPT

## Dimensions

Standard version



Nominal Size	Dimensions [mm]					Weight [g]
	h	b	b1	b2	D	
40	40	24	24	42	42	140
50	45	26	26	46	51	160
63	50	26	26	45	63	190
80	65	34	34	68	84	400
100	88	48	48	86	114	650

### Ordering information

State:

Pressure gauge model / Nominal size / Scale range / Size of connection / Optional extras required

Specification and dimension given in this leaflet represent the state of engineering at the time of printing. Modifications may take place and materials specified may be replaced by others without prior notice

**MANROS Italy srl - C.so Vittorio Emanuele 208/I - 29121 PIACENZA (ITALY)**

Factory: Via Bricchi 16 – 29013 Carpaneto P.no (Piacenza) Italy  
Tel: +39 0523 859571 - Fax: +39 0523 852354 - Mobile: +39 335 7019302