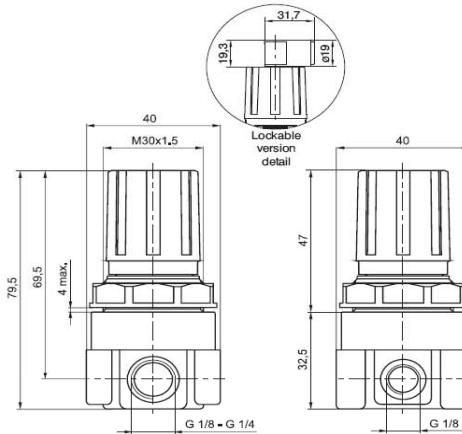




Panel mounting pressure regulator

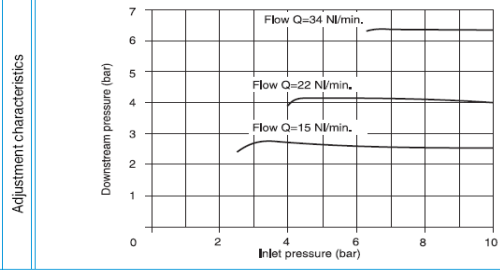
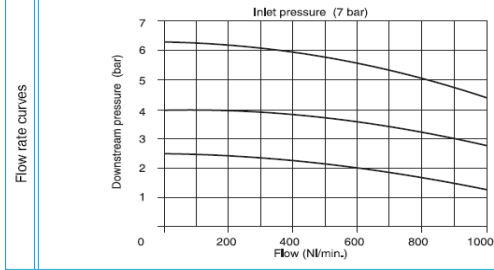


Ordering code

17109C.C.T.L

CONNECTIONS	
A	= G 1/8"
B	= G 1/4"
ADJUSTING RANGE	
A	= 0 - 2 bar
B	= 0 - 4 bar
C	= 0 - 8 bar
D	= 0 - 12 bar
TYPE	
L	= no Relieving
SM	= improved relieving
SR	= Quick exhaust (Unbalanced poppet)
T	= Quick exhaust with improved relieving
SMF	= Improved relieving with controlled relief
OPTION	
K	= Standard (without options)
	= Version with paullock

Example: 17109A.C
Panel mounting pressure regulator size 1 with G 1/8" connections, 0 - 8 bar adjusting range with relieving.



Operational characteristic

- Diaphragm pressure regulator with relieving.
- Balanced poppet.
- Technopolymer body with aluminum reinforced threaded connections.
- Handle lockable in the desired position by simply pressing it downwards.
- Two pressure gauge connections with plug complete of seal.
- Panel mounting bracket.

Technical characteristic

Connections	G 1/8" - G 1/4"
Max working pressure (bar)	13 bar - 1,3 MPa
Temperature °C	50°C
Pressure gauge connections	G 1/8"
Weight	gr. 110
Pressure range (bar)	0 - 2 / 0 - 4 / 0 - 8 / 0 - 12
Assembly position	Any
Max. fittings torque	15 NmMax. fittings torque on technopolymer body