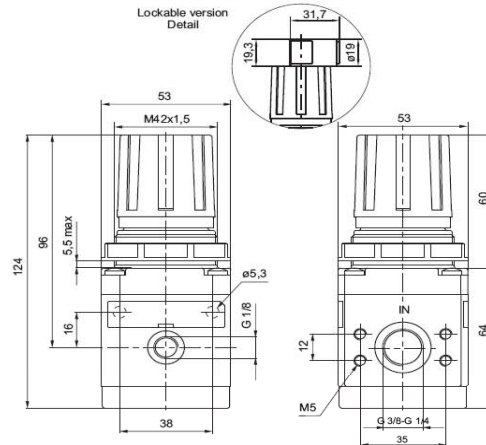




Pressure regulator

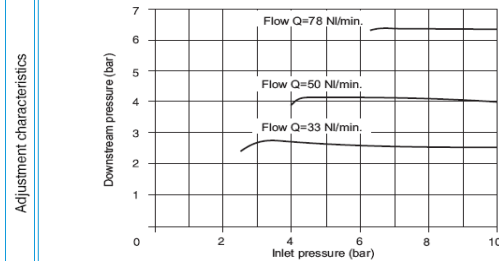
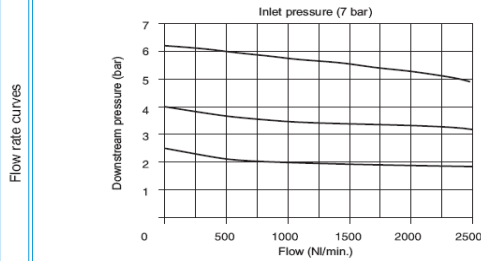


Ordering code

17202C.G.T.O

- CONNECTIONS**
 A = G 1/4"
 B = G 3/8"
- ADJUSTING RANGE**
 A = 0 - 2 bar
 B = 0 - 4 bar
 C = 0 - 8 bar
 D = 0 - 12 bar
- TYPE**
 L = Without Relieving
 SM = Improved Relieving
- OPTION**
 Standard (without options)
 K = Lockable version

Example: 17202A.C
 Pressure regulator with G 1/4" connections, adjusting range 0 - 8 bar with relieving.



Operational characteristic

- Diaphragm pressure regulator with relieving.
- Balanced poppet.
- Lockable handle by simply pressing it downwards in the desired position.
- Body made with light alloy.
- Wall mounting possibility with M5 screws protected by covers.
- Two pressure gauge connections with plug complete of seal.
- Panel mounting bracket.

Technical characteristic

Connections	G 1/4" - G 3/8"
Max working pressure (bar)	13 bar - 1,3 MPa
Temperature °C	50°C
Pressure gauge connections	G 1/8"
Weight	gr. 390
Pressure range (bar)	0 - 2 / 0 - 4 / 0 - 8 / 0 - 12
Assembly position	Any
Wall fixing screw	M5
Max. fittings torque	25 Nm