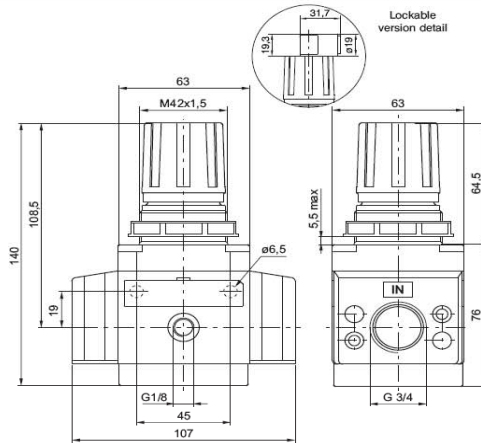




Pressure regulator (G 3/4")



Ordering code

17302EG.0.0

ADJUSTING RANGE

- A = 0 - 2 bar
- C** = 0 - 4 bar
- B = 0 - 8 bar
- C = 0 - 8 bar
- D = 0 - 12 bar

TYPE

- T** = without Relieving
- SM = improved relieving

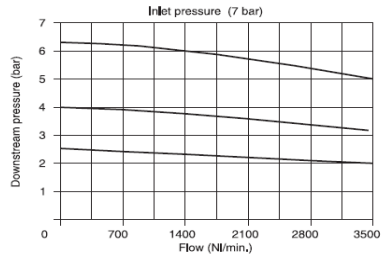
OPTION

- = Standard (without options)
- 0** = Standard (without options)
- K = Lockable version

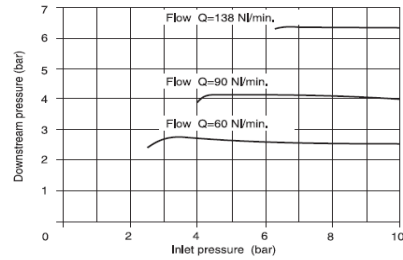
Example: 17302E.C
Pressure regulator size 3 with G 3/4" connections, adjusting range 0 - 8 bar with relieving.

3

Flow rate curves



Adjustment characteristics



Operating Characteristics

- Diaphragm pressure regulator with relieving.
- Balanced poppet.
- Lockable handle by simply pressing it downwards in the desired position.
- Body made with light alloy.
- Flange made with light alloy
- Wall mounting possibility with M6 screws protected by covers.
- Two pressure gauge connections with plug complete of seal.
- Panel mounting bracket.

Technical characteristics

Connections	G 3/4"
Max working pressure (bar)	13 bar - 1,3 MPa
Temperature °C	-5 °C - 50°C
Pressure gauge connections	G 1/8"
Weight	gr. 550
Pressure range (bar)	0 - 2 / 0 - 4 / 0 - 8 / 0 - 12
Assembly position	Any
Wall fixing screw	M6
Max. fittings torque	40 Nm