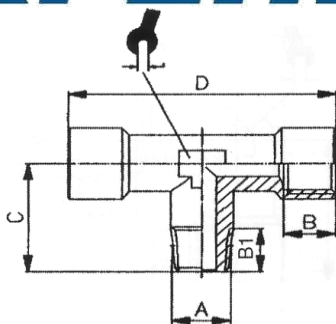



# BARKI EHF.



## Té F.M.F.

Vörunúmer	Heiti	A	B	C	D	
46-02-462001	Té 1/8" F.M.F.	1/8"	7.0	19.0	40.0	10.0
46-02-462002	Té 1/4" F.M.F.	1/4"	8.0	24.0	51.0	13.0
46-02-464003	Té 3/8" F.M.F.	3/8"	10.0	26.5	58.0	17.0
46-02-464004	Té 1/2" F.M.F.	1/2"	11.0	31.5	72.0	20.0
46-02-464010*	Té 3/4" F.M.F.	3/4"	14.5	32.0	73.0	25.0

### SCHEDA TECNICA SERIE "100" RACCORDI STANDARD

I raccordi di linea della nostra serie 100, sono realizzati in Italia, a garanzia di elevati standard di qualità, secondo le normative ISO di riferimento, e rispondono alle seguenti specifiche tecniche e applicative

#### FLUIDO

Aria compressa, acqua fino a 100 °C (per altri fluidi contattare il nostro UT)

#### APPLICAZIONI

Circuiti pneumatici, oleodinamici e idraulici

#### TEMPERATURE E PRESSIONI

Le temperature e le pressioni dipendono generalmente dalle caratteristiche del tubo impiegato. La pressione massima consigliata è 60 bar

#### FILETTATURE

BSP cilindrica UNI-ISO 228

BSP conica UNI-ISO 7

Metrica ISO/R 262

#### MATERIALI UTILIZZATI

Ottone UNI EN 12164 CW614N (nichelato)

Ottone UNI EN 12165 CW617N (nichelato)

NBR 70 DWGV-EN549 UL157 (guarnizioni tenuta)

Nylon/Alluminio (rondelle)

### STANDARD "100" SERIES TECHNICAL SHEET

The standard 100 series fittings are produced in Italy according to the reference ISO norms as warranty of high quality level and answer to the followings technical specifications and applications:

#### FLUIDS

Compressed air, water up to 100 °C (for different fluid pls contact our Technical

#### APPLICATIONS

Pneumatic, oleodynamic and hydraulic circuits

#### TEMPERATURES AND PRESSURES

Temperatures and pressures usually depend by the technical features of the employed tubes. Max pressure suggested 60 bar.

#### THREAD TYPE

BSP parallel UNI-ISO 228

BSP tapered UNI-ISO 7

Metric ISO/R 262

#### MATERIALS

Brass UNI EN 12164 CW614N (nickel Plated)

Brass UNIEN 12165 CW617N (nickelPlated)

NBR 70 DWGV-EN549 UL157 (seals)

Nylon/Aluminium (washers)